

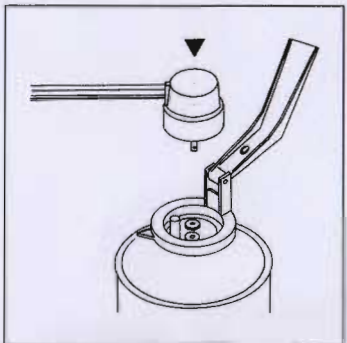
## How to Use Duo Fill 400

### 1. Prepare the Can:

- A. Can temp should be between 60°F and 85°F.
- B. Shake the can well for 25 seconds.

### 2. Prepare Surfaces

- A. Clean area with rag as Duo Fill 400 adheres best to clean dry surfaces.
- B. Surface temperature must be over 35°F.

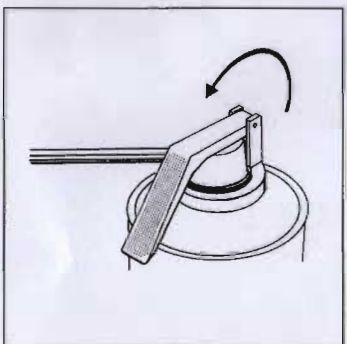


### 3. Actuator into the Valve

- A. Flip lever into the open position.
- B. Line up the actuator straw with the small triangle on the collar of the can.
- C. Insert the 2 actuator stems into the 2 valves inside the collar of the can.
- D. Push down on the actuator head so the stems are in the valves completely.

### 4. Preparing to Foam

- A. Flip the lever over the actuator head, confirm the lever triangle is the only piece touching the actuator head.
- B. Turn the can upside down and hold the can and lever in one hand.
- C. Shake the can again for 30 seconds.



### 5. Foaming

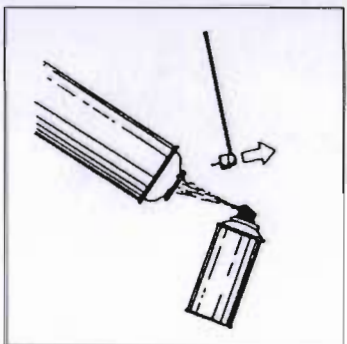
- A. Give the lever a full straight pull.
- B. Align with brackets straight, do not pull the lever to the right or to the left, straight ahead.
- C. Dark blue component mixing with yellow component produces a light blue foam, the same color as the label on the can. If not light blue, stop foaming and start over with a new actuator. The foam is visually controlled.
- D. Pull the lever with a solid pull, the DF 400 is all on, there is no half pulling (this throws the mixture off).

### 6. After Foaming

- A. When you are finished foaming, throw the actuator and straw away; the foam will cure in the straw and cannot be used again.
- B. If foaming within 24 hours leave the cured straw and actuator in the valves. If the interval is longer than 24 hours, clean the valve out with cleaner and shake off residue.

### 7. Cautions

- A. Contents are flammable. Please use care; do not smoke when foaming or foam near open fire. Do not puncture can. **Keep away from children.**
- B. Please read and review the data sheet and MSDS on Duo Fill 400 before using.



**THANK YOU AND HAPPY FOAMING**